



IWEISS

TITLE
GOES HERE

Anyplace Theater
Job Name

MONTH, 2020

IWEISS.COM

**815 Fairview Avenue #10
Fairview, NJ 07022**

Phone: (201) 402-6500
Toll Free: (888) 325-7192

Fax: (201) 402-6530
Chicago: (708) 435-4162

DISCLAIMER

This Product is offered to you conditioned upon your acceptance without modification of the terms, conditions and notices in this manual and disclaimer itself and the limited warranty. The Buyer may not modify, copy, distribute, transmit, reproduce, publish, license, create derivative work, transfer or sell any information related to this product or service. IWEISS LLC (IWEISS) reserves the right to change the terms, conditions, and notices under which their products are offered.

The information in this manual will not cover all possible situations, nor could such inclusive instructions be written by the equipment manufacturer due to the various processes of mounting theatrical equipment. This manual is intended to provide a guide to the safe and efficient operation of the furnished stage equipment and its routine maintenance. No manual can replace your duty to exercise constant vigilance and common sense. IWEISS is not responsible for any damage that results from your failure to comply with this manual.

IWEISS liability to any party injured or suffering a loss in connection with the purchase, set up, use, operation, maintenance or control of the ViaTraveler, (User) is contained exclusively in the limited warranty which is attached to and made part of this Operation & Maintenance Manual.

User accepts the limited Warranty of IWEISS Inc as in effect from time to time with respect to the ViaTraveler, a copy of which shall be included as part of this Manual and the packaging included with the ViaTraveler. User acknowledges receipt of the limited warranty currently in effect. The limited warranty of IWEISS is in lieu of all other warranties, whether expressed or implied. User shall keep a copy of IWEISS Inc limited warranty and this Operation & Maintenance Manual intact and available for reference at any time and limit the use of the ViaTraveler to persons fully familiar with the warranty and the Manual. IWEISS reserves the right to change at any time and from time to time the terms and conditions of the limited warranty, and any such changes shall become effective immediately upon IWEISS forwarding such changes in writing to the User. User acknowledges and agrees that liability of IWEISS with respect to the ViaTraveler shall be limited solely to the aforementioned limited Warranty of IWEISS, as may be changed or modified from time to time by IWEISS. In the event User maintains, repairs, services or operates the ViaTraveler in a manner in any way inconsistent with the contents of this Operation & Maintenance Manual, such action shall effectively terminate any IWEISS warranty for such ViaTraveler.

IMPORTANT SAFETY INFORMATION

- Read this manual carefully before installing or using this product. Failure to do so can result in injury or death.
- The procedures in the manual are for use by qualified personnel only.
- Use of this machine is undertaken at User's own direction and risk.
- If User has any questions or uncertainty regarding use of this machine or any item contained in this manual – the machine should not be operated.
- **WARNING!** Improper installation or maintenance can cause the load to fall. Motorized machines impose significant loads on the structure to which they are attached. The installer is responsible for verifying that a licensed structural engineer has determined that the structure can withstand the imposed loads.
- Equipment must be installed by personnel trained in the Industry Standards of theatrical rigging.
- Do not substitute or modify components provided with this equipment.
- Do not exceed the total capacity of the hoist, plainly marked on the Identification Label.
- The ViaTraveler is only to be used for horizontal curtain movements, NEVER to be used for lifting equipment OR people.
- The ViaTraveler weighs 75 lbs each, plus the weight of any packaging. Use appropriate handling equipment and safe work practices. Follow all OSHA guidelines for material handling and safety practices.
- **DANGER!** Electrocutation Hazard!
- Remove power source before opening electrical panels. Use lockout / tag out systems whenever servicing equipment.
- Electrical equipment must be installed by qualified electricians as per the electrical riser supplied. Buyer must adhere to all local & national codes.
- **WARNING!** Moving parts can cut or crush.
- Keep body parts away from machinery in motion.
- Remove power source before working on machinery.



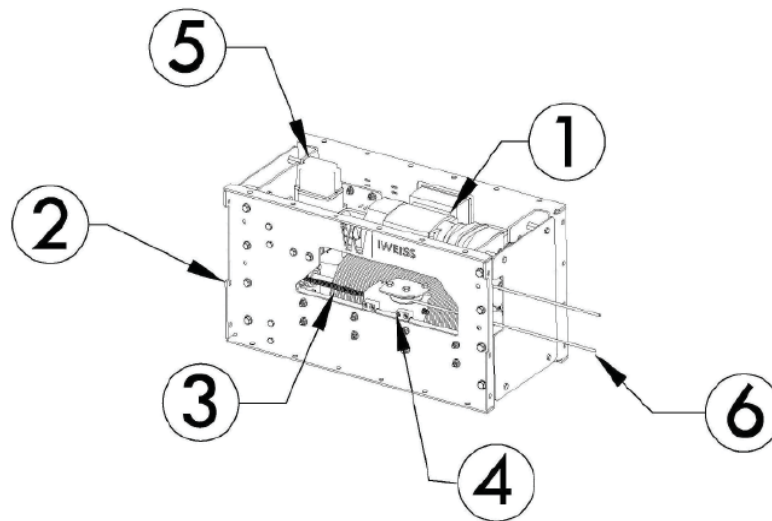
PRODUCT USE REQUIREMENTS

- Installation of this equipment must comply with local building codes.
- Equipment must be installed according to manufacturer's drawings. Individual component information is listed in the bill of materials of these drawings.
- Viatraveler machines must be inspected by qualified personnel at least every year or more frequently depending on use and local, state, and federal laws. Do not install in locations that prohibit access or prevent removal of any machine covers. A "Qualified Person" is someone who has been fully trained in the use and maintenance of the machine.
- ViaTravelers are designed for use in temperatures between 50° and 90°F (10°-38°C).
- Do not expose machines to rain or extreme humidity.
- The recommended working load and duty cycle of each machine is marked on the Identification Label. Do not exceed.
- The machinery must be protected from oil, dust and other contaminants. Installation of electrical power and control devices must be coordinated prior to the installation of the machine.

⚠ WARNING

The Clincher Winch should only be installed by personnel totally familiar with the product and the Industry Guidelines for safe rigging standards.

Identify the components of the ViaTraveler



1. Gearmotor: The motor is a 1/2Hp 3 phase 208V gearmotor mounted to the end of the winch frame.
2. Winch Frame: The winch frame is made from plate steel. The entire perimeter of the device is to be considered the frame. The frame has a series of mounting points on all sides of the frame's bottom base angles.
3. Grooved Drum: The drum is nylon grooved and sized for 3/16" operating line and will rotate on a keyed drive shaft. The Drive Shaft is a solid round steel member that is connected to mounting bearings on either end of the steel frame.
4. Zero Fleet Carriage: Inside the frame is a grooved drum with diverter sheave carriage that allows the drive line to page out at a zero fleet angle.
5. Limit Switch: This housing enclosure houses the safety cams that control the winch's starting and stopping positions
6. Drive Line Access: This slot is where the drive line pages out of the machine.

Control Station: The control station will typically be mounted to the proscenium wall. See the following descriptions for use:

Key Switch: The key switch removes power from the control station and motion will not be allowed with the key in the off position.

NOTE: The key does not remove high voltage power from the system and the main disconnect should be used when servicing.

Open Button: This button is used to move the curtain open allowing the stage area to be open for display.

Close Button: This button is used to move the curtain closed allowing the stage area to be masked by the curtain.



NOTE: If the E-STOP (if provided) OR Ultimate Limit is deployed, the system should not be activated again until communication, visual and verbal, has been established between the operator and all spotters, and a complete evaluation of why the E-STOP/Ulimate was used has been determined. Once all matters are reviewed and security and safety is insured, the system is ready to be operated again. Confirm the direction in which the machine needs to move and continue with operation.

For the safety of all concerned, the operating buttons are momentary push buttons; otherwise known as dead man buttons. These buttons will allow the piece to move in its desired direction until the piece has hit its limit position or when the button has been released. CONTINUE TO HOLD THE BUTTONS FIRMLY DOWN UNTIL MACHINE HAS MOVED TO ITS DESIRED LIMIT LOCATION.

Unload the packaged machinery.

ViaTraveler machines are shipped on pallets. While packaged you must:

- Protect pallets from rain and humidity.
- Use safe material handling practices.
- Store packaged machinery in clean and dry locations that are protected from impact or other abuse.

Anchoring the hoist.

- Use required toolage to remove all lags, bolts, etc. to free winch from pallet
- Always use two people when moving a winch into place. The winch weighs approximately 75lbs.
- Set winch into proper place, where alignment is required with the device(s) you intend to move.
- Once location is confirmed, anchor winch into location.
- o ViaTravelers must be attached to structure for a minimum of 200% of the intended load.
- ☒ If you are not sure how to attach the winch to structure, please contact the manufacturer or a local structural engineer.
- It is important to ensure that the mounting of the unit is level and plumb.

Confirm power to machine.

To get power to the winch:

- First, ensure that the main circuit breaker for the machine you are working on is switched off and tagged out.
- Remove the face plate of the MCC.
- Each connection in the MCC housing is labeled displaying where the 110V HOT, 110V NEUTRAL, and Ground wires are to be terminated.
- After the power has been run and the knockout in the rear of the cabinet has been secured or closed, re-install the face plate on the MCC. Once this is complete, the circuit breaker can be turned back on.
- To confirm that the machine is wired correctly, engage the E-Stop button then the illuminated E-Stop button on the MCC should light up.
- **DO NOT ATTEMPT TO OPERATE THE EQUIPMENT UNTIL QUALIFIED TECHNICIANS OR ELECTRICIANS HAVE CONFIRMED PROPER WIRING HAS BEEN INSTALLED.**

INSTALLATION STEPS

1. Unload the packaged machinery.

Curtain Machines are shipped on a pallet. While packaged you must:

- Protect pallets from rain and humidity.
- Use safe material handling practices.
- Store packaged machinery in clean and dry locations that are protected from impact or other abuse.

2. Installation layout must occur with the proper alignment of the machine to the diverter pulleys utilizing proper fleet angle of no greater than 1.5 degrees.

3. Once layout is confirmed use at minimum (4) 3/8" anchors, as determined by a licensed engineer and per the instructions of the anchor manufacturer, in the perimeter mounting holes provided in the base of the frame.

4. Install the Motor Control Cabinet and Control Station per the supplied wiring diagrams.

5. Once power to both control and motor is confirmed, quick compress each directional button on the control station to confirm proper drum rotation.

****NOTE that no limits have been set and a potential collision of equipment is not possible.****

6. ViaTraveler ships with operating line pre-installed on the drum. It is important to maintain tension on the operating lines at all times throughout the installation process until final terminations at the master carrier have been performed.

7. The pre-installed operating lines have been set to center of drum, representing 50% of the unit's overall travel capacity.

8. Reeve the operating lines with the curtain halfway between open and closed.

9. Terminate both ends of the travel cable at one master carrier. While pulling as much tension as possible use a 3/16" cable clip in the center of the master carrier as additional security to the carrier's cable clamps.

10. Loosen the turnaround (dead end) pulley at the opposite end of the track system and pull more tension into the system by sliding the sheave as far as possible to the end of the track.

11. Do not cut the excess operating line until all steps have been performed.

12. Prior to running the system to full travel, test the operation by moving the curtain in each direction by only 1/3rd of the available travel. Review for any misalignment or slack in the operation cord. Adjust as required.

13. Once all rigging, cord terminations and cable tension has been confirmed, set the limit according to the instructions on the following page.

14. The final step is to trim the operating cord to an appropriate length.

****NOTE: Changing speed velocity will alter the manner and timing in which the limits stop the curtain from moving. Best practice is to set the limits at a slower speed and adjust accordingly until the desired speed is achieved.**

Setting the Limits

Limit switches determine the amount of travel allowed in the system. These positions are set during the installation process and should not have to be re-adjusted. This system has a total of 4 limit positions:

- Ultimate Closed limit position
- Primary Closed limit position
- Primary Open limit position
- Ultimate Open limit position

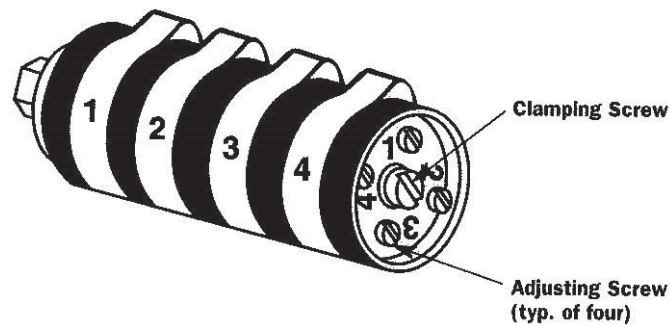
THESE LIMIT POSITIONS MUST BE SET DURING INSTALLATION, PRIOR TO THE USE OF THE HOIST.

The Ultimate limit positions are factory set in order to protect the machinery/system at large from damaging itself. In this system, the Ultimate positions are set just inches past the Primary positions. IT IS THE INSTALLER'S RESPONSIBILITY TO RE-SET ALL OF THE LIMIT POSITIONS IN ORDER TO OPERATE AND MAINTAIN THE HOIST IN THE SPECIFIC ARRANGMENT.

If for any reason the system over runs the Primary position, the Ultimate limit will stop the system from moving and completely shut it down, similar to the E-STOP. However, if the Ultimate limit is reached [see note below], an "Over-ride" button must be engaged in order to re-restart the system. The system must then be run in the opposite direction of the limit to get back to normal settings. This "Over-ride" button is located in the MCC.

PLEASE NOTE: IF THE OVER-TRAVEL LIMIT IS ENGAGED A FULL INSPECTION OF THE SYSTEM MUST BE PERFORMED BEFORE OPERATING THE SYSTEM OUT OF ITS OVERTRAVEL POSITION TO SEE WHAT PROBLEMS OCCURRED TO ALLOW THE OVERTRAVEL TO BE REACHED.

The limit switch is located inside the motor control cabinet.



On top of the center cam there are five screws:

- Center (clamping) screw=Located at the center of cam stack
- Screw #1=Ultimate Closed limit position
- Screw #2=Primary Closed limit position
- Screw #3=Primary Open limit position
- Screw #4=Ultimate Open limit position

Please follow these steps to reset your limit positions.

1. Drive the hoist to its desired position. Starting with the closed position tends to be easiest. Locate the limit device with the center stack of cam per the above illustration.
2. Loosen center clamp screw half a turn, counterclockwise.
3. Rotate the coordinating numbered screw (the #2 for the Primary Closed position) in the cam stack until the limit cam engages the base switch and creates an audible click. You must confirm the correct direction to rotate the cam prior to adjusting the screw.
4. Once complete, tighten down the center clamp screw.
5. To adjust the Ultimate limit positions, rotate the cams in the same fashion, however, leave them to rest in position so that it would engage directly behind the Primary position limit.
6. Repeat the same steps for setting the Open position's limits.
7. Once all the limits are set, confirm that the center clamp screw is tight. Close and bolt the Motor Control cabinet.

HOW TO OPERATE THE VIATRAVELER

The ViaTraveler is only to be operated by qualified personnel fully familiar with all of the contents of this manual

- Confirm that the line is clear of all obstructions.
- Turn on the control cabinet and plug in the handheld pendent. (Not required for Single Gang Controller.)
- Double check that the E-stop (if supplied) has not been engaged. Reset if need be. (Not required for Single Gang Controller.)
- Make sure you are holding the pendent in the correct orientation. (Not required for Single Gang Controller.)
- Confirm the direction that you intend to move the machine and press the corresponding button.
- You **MUST** keep eye contact on the machine at all times. If something doesn't look right or sound right you must **STOP** moving the hoist immediately.
- The handheld pendent and single gang controller is made with momentary pushbuttons, meaning that once you remove your finger from the button, the machine will stop moving. Once the machine moves to a limit position it will automatically stop moving.

CHECKS & MAINTENANCE PROCEDURES

Inspections

a) Annual Maintenance Inspection – The Viatraveler requires an ANNUAL MAINTENANCE INSPECTION to insure safety and trouble-free operation. Inspect on a scheduled basis and keep records [See Maintenance Log]. These records will provide information on length of service and any changes which might indicate worn parts. Industry Standards require that a safety inspection be performed by a professional stage rigging company, employing ETCP certified riggers, at least once a year. Copy of completed Annual Maintenance Logs should be sent to IWEISS via fax in a timely fashion in order to maintain Warranty. In the event that the Maintenance Logs are not received, the Warranty will be void.

b) Routine Visual Inspection – The User should always be aware of the equipment and its various components. When the equipment is in operation, any change in sound or look should be noted. The frequency of the Routine Visual Inspection depends on the usage and severity of the operating conditions. At a minimum the owner should look for problems (nicked/kinked cables, loose fittings, obstructions, oil drips, etc.) and conduct a full visual inspection at least once a month.

Maintenance of the ViaTraveler should only be performed by a ViaTraveler approved firm with ETCP Certified Riggers.

Power supply must be locked out before and during any checks or maintenance is performed.

Maintenance

Power supply must be locked out before and during any checks or maintenance is performed.

- Components in the power disconnect box should be checked. Turn the power off at the circuit breaker panels and install a tag out notice for that hoist. Excessive dirt should be vacuumed from the cabinet interior to prevent contact arcing and premature relay failure.
- Inspection for signs of metal shavings, metal dust, leaking oil, etc.
- Check and tighten, if needed, motor mounting, all mounting bolts, cap screws.
- Check and tighten, if needed, winch frame mounting to structure.
- Inspect the drive cable, attachment to grooved drum, how cable wraps around drive, etc... Inspect final connection to the moving device (i.e. clew, pipe batten, wagon, etc...)
- Clean the motor fans to keep them from overheating.
- Inspect the tension of the limit belt.
- Inspect the connection of wires to terminals as well as the tightness of the screws on the limit switch.
- Keep safety guards, if applicable, in place except when access is required for service.
- Confirm that the electrical feed to the MCC cabinet is tight, and conduit strain relief is tight.
- Inspect all cable terminations in the system.
- This ViaTraveler is equipped with a gearmotor. Every year a sample of the oil in the gearbox should be inspected for color, metal shaving, etc... Please contact the manufacture to correctly perform this action.

TROUBLESHOOTING

The first step in trouble shooting any circuit is to obtain a clear understanding of the circuit and it's function. If you are unaware of how a power or control circuit works then you should refer to a qualified technician to troubleshoot this portion.

Next, gain an understanding of the problem. Troubleshooting is very difficult if you do not know what you are looking for. Obtain information from the operator who uses the equipment. Often he can help to describe and isolate the problems more quickly.

Eliminate the obvious, no matter how simple:

- Is the unit turned on?
- Are the disconnects turned on?
- Check the fuses, circuit breakers and overload relays.
- Are limit switches tripped or blocked?
- Look for overheating or warm areas, signs of leakage, smells and recently made changes.
- THEN use the following procedures to isolate the problem to the control circuits, power circuit, load, or incoming power.

Troubleshooting the incoming power supply, fuses and circuit breakers:

1. One of the most common problems found in all electrical circuits is a blown fuse or a tripped circuit breaker. This is because the fuse or breaker is sized to open or trip in case of trouble. The device that has opened or tripped has done so because of some fault on the line. This fault may be located in any load connected to the line, a combination of loads, the wiring, or even the fuse or breaker itself. In any case, the fuse must be replaced or the breaker reset.
2. Although circuit breakers usually have an indicator to tell when they are tripped. Check the incoming power supply for incoming power. It is a common mistake to assume that power is present on incoming lines. Remember that these lines are also protected by other fuses and breakers that may have tripped or failed for any reason.
3. Use a voltmeter to check the voltage between each pair of power leads. The supply voltage should be within 10% of the voltage rating on the motor nameplate and other connected devices. If the voltage is present, but out of specification, further research is needed. If the voltage is correct, check the enclosure for proper ground. To test for ground, connect one side of the voltmeter to an unpainted metal part of the enclosure and touch the other side of each of the line terminals. A voltage difference should be indicated on the voltmeter.
4. Next, test the fuses or breaker for an open circuit. Apply power to the fuses or breaker. To prevent any possible feedback through the connected loads, it may be necessary to disconnect the load side of the fuses or breaker. Connect the meter from the line side of one fuse to the load side of another (never the same one). A full voltage reading (phase to phase, not phase to ground) indicates a good fuse.

Troubleshooting a control circuit:

1. Eliminate the incoming power as the source of trouble by connecting a voltmeter or test light across the terminals and verifying that the proper voltage is present.
2. Once the control circuit has been determined to be the source of the problem, continue by jumping each control device until the problem is found.

Troubleshooting limit switches:

1. Rotary limit switches should have:
 - a. Locking screws tight on switch cams.
 - b. Switches making contact with cams.
 - c. Wires tight in terminals.

Some fixed speed motor starters are equipped with momentary toggle switches to bypass the over travel limits as an aid to switch settings and to restoring normal operation after a failure. The motor can be operated in either direction when the toggle switch is held closed, so be sure of the intended direction of operation before pushing any button to run the machine.

LIMITED WARRANTY

The limited warranty stated below is given in place of all other warranties, express or implied, of merchantability, fitness for a particular purpose, or otherwise, no promise or affirmation of fact made by any agent or representative of seller shall constitute a warranty by seller or give rise to any liability or obligation.

Seller warrants that on the date of delivery to carrier the equipment is free from defects in workmanship and materials.

Seller's sole obligation in the event of breach of warranty or contract or for negligence or otherwise with respect to equipment sold shall be exclusively limited to repair or replacement, F.O.B. Seller's point of shipment, of any parts which Seller determines to have been defective or if Seller determines that such repair or replacement is not feasible, to a refund of the purchase price upon return of the equipment to Seller.

Any action against Seller including but not limited to breach of warranty, breach of contract, product defect, negligence or otherwise, must be commenced within one year after such cause of action accrues.

Seller shall not be liable for any damage, injury or loss arising out of the use of the equipment if, prior to such damage, injury or loss, such equipment is (1) damaged or misused following the Seller's delivery to carrier; (2) not maintained, inspected, or used in compliance with applicable law and Seller's Operation & Maintenance Manual; or (3) installed, repaired, altered or modified without compliance with such law, or manual.

INDEMNIFICATION AND SAFE OPERATION

Buyer shall comply and require its employees to comply with directions set forth in instructions and manuals furnished by Seller and shall use and require its employees to follow such instructions and manuals and to use reasonable care in the use and maintenance of the equipment. Buyer shall not remove or permit anyone to remove any warning or instruction signs on the equipment. In the event of personal injury or damage to property or business arising from the use of the equipment, Buyer shall within 48 hours thereafter give Seller written notice of such injury or damage and shall cooperate in the handling of any claims arising therefrom.

If Buyer fails to comply with this section or if any injury or damage is caused, in whole or in part, by Buyer's failure to comply with applicable federal or state safety requirements and/or Buyer's failure to follow Seller's Operation & Maintenance Manual, Buyer shall indemnify and hold Seller harmless against any claims, loss or expense for injury or damage arising from the use of the equipment. Buyer shall indemnify, defend, and hold Seller harmless.

HOW TO CONTACT IWEISS

Please contact the Installation Department at:

IWEISS LLC
815 Fairview Avenue
Unit 10
Fairview, NJ 07022
Phone (201)402-6500
Fax (201)402-6530

MAINTENANCE LOG

PRODUCT USE REQUIREMENTS

This Maintenance Log is provided as a tool for use by a qualified person while inspecting the Viatraveler. Although an attempt has been made to include all of the most important points of maintenance, no such list can anticipate the particular circumstances of every installation. It is the responsibility of the qualified person to make a reasonable effort to identify hazardous conditions not mentioned herein and formally advise the owner to take corrective action.

IMPORTANT SAFETY INFORMATION

See Identification Label on the unit for serial number, manufacture date and contact number.



WARNING! Improper installation or maintenance can cause the load to fall.

- Do not substitute or modify components provided with this unit. Use only parts provided by IWEISS.
- Do not exceed the total capacity of the hoist. It is plainly marked on the Identification Label.



DANGER! Electrocutation Hazard!

- Remove power source before opening electrical and inspection panels. Use lockout / tag out systems where necessary.
- Electrical equipment must be serviced by qualified personnel only.



WARNING! Moving parts can cut or crush.

- Keep body parts away from machinery in motion.
- Remove power source before working on machinery.

INSTRUCTIONS FOR USE

1. Prior to maintenance, obtain and review a copy of the Viatraveler Operation and Maintenance Manual for the machine being maintained.
2. Inspect each of the items on the Log and verify that the machinery is serviced and adjusted according to the requirements of the maintenance manual. Remove the covers from the machine as required.
3. Replace the covers and repeat the process for each machine on site.
4. Make sure that the Identification Label is still adhered on each unit. Contact IWEISS for a new label if necessary.
5. Make contact with the authorized person at the venue and make sure that the manual and maintenance log are available for use.
6. File copies of the Maintenance Log with the Owner along with any recommendations for service. Complete the Certificate of Maintenance and fax or mail a copy to IWEISS.