

CHANNEL CURTAIN TRACK

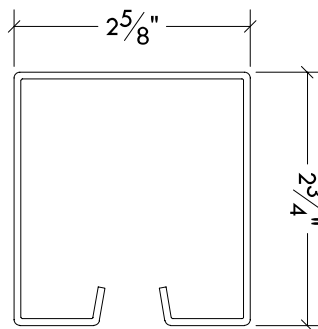
Track



The IWEISS Channel Track is used in straight track systems and is appropriate for both walk-along and rope operated curtains. Track and associated hardware can be assembled for use in bi-part or one-way draw systems. Suspension and mounting hardware is available for ceiling, pipe, and suspended support.

TECHNICAL DATA

Part #	IWC20B
Materials	12 ga Powder Coated Steel
Dimensions	2 5/8" w x 2 3/4" h
Weight	2 lbs plf
Load Rating	50 lbs/lin ft*



*based on standard hanger spacing

