



IWEISS

RIGGING COMPONENTS Threaded Clevis

Align Stage Rigging Equipment by IWEISS

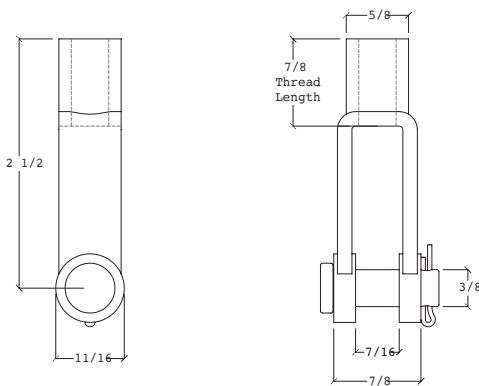
A Threaded Clevis hanger is a forged carbon steel yoke, outfitted with a free pivoting pin secured by a cotter pin. It is used for suspension on threaded rod and supporting loads on the pivoting pin.

TECHNICAL DATA

| | |
|--------------------|--|
| Part # | TC.375F & TC.500F |
| Materials | Carbon Steel |
| Dimensions | See Below |
| Weight | .9 lbs |
| Load Rating | 3/8"-16: WLL 1300# 1/2"-13: WLL 1900# |



3/8"-16



1/2"-13

